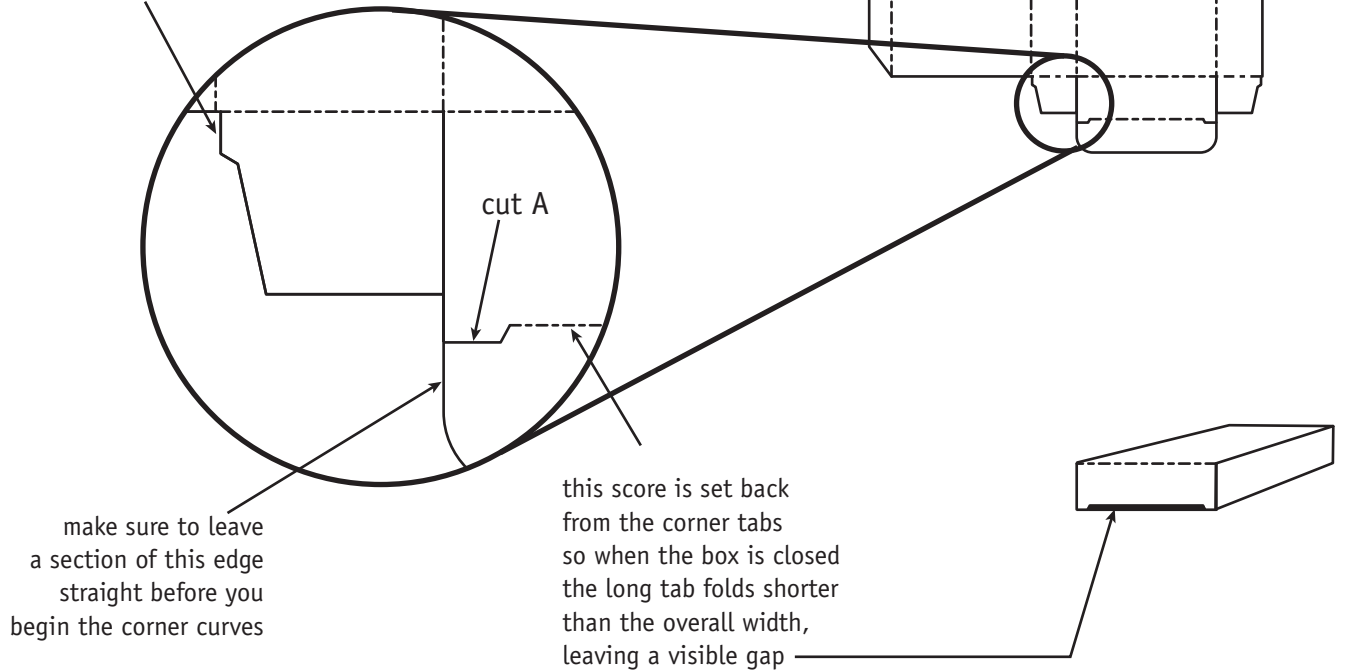


## full lock tab

cut this tab back a little from the score to allow space for the long tab to slide in  
ALSO, make sure the length of this is shorter than cut A



## partial lock tab

the score is set back to allow for a secure closure

leave a straight edge before cutting your curve

your cut should be angled upward on both sides, then straight across this will allow your tab to slip into the resulting slot & when it pulls back (because it is shorter) it will lock into place

